

Product Information

MXZ-E/D R410A
Inverter Heat Pump (8.3-12.2kW)
Multi-Split Units

Making a
World of
Difference

Multi-Splits



The **R410A Multi-Split system** allows up to six M Series or Mr Slim wall mounted, cassette, ducted, floor or ceiling suspended indoor units of different capacities to be operated from a single outdoor unit. This makes it an economic and efficient answer for multi-room applications, whilst also offering space saving benefits.

Key Features

- Up to six indoor units may be connected to a single outdoor unit
- Energy saving inverter controlled outdoor unit adjusts compressor performance to economically match the demand for heating and cooling
- Units may be added within the capacity of the system as requirements change
- Capacities of indoor units may be mixed to suit individual rooms
- Multi-Split units have current limit adjustment for managing energy costs. They also feature a wiring/piping correction function to analyse the system for connection errors via the press of a single button



Air Conditioning

Product Information

MXZ-E/D R410A
Inverter Heat Pump (8.3-12.2kW)
 Multi-Split Units

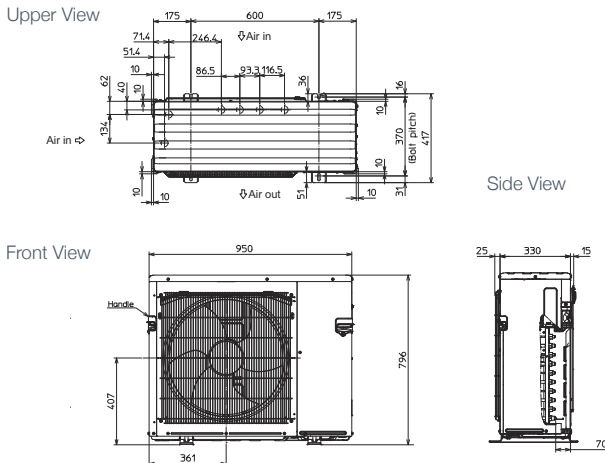
Making a
 World of
 Difference



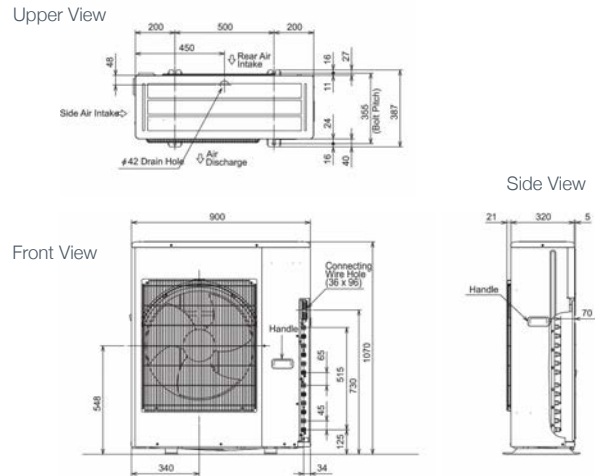
MXZ-E/D - OUTDOOR UNITS		MXZ-4E83VA	MXZ-5E102VA	MXZ-6D122VA2
NUMBER OF CONNECTABLE INDOOR UNITS		2 - 4	2 - 5	2 - 6
CAPACITY (kW)	Heating (nominal)	9.3 (3.4-11.6)	10.5 (4.1-14.0)	14.0 (3.5-16.5)
	Cooling (nominal)	8.3 (3.7-9.2)	10.2 (3.9-11.0)	12.2 (3.5-13.5)
	Heating (UK)	7.8 (2.82-9.63)	8.7 (3.40-11.63)	11.6 (2.90-13.71)
	Cooling (UK)	8.2 (3.67-9.12)	10.1 (3.86-10.90)	12.1 (3.47-13.39)
COP / EER (nominal)**		3.81 / 2.93	4.49 / 3.24	4.23 / 3.33
SCOP / SEER (BSEN14825)		4.2 / 6.3	4.20 / 6.6	3.59 (143.4%) / 7.52 (300.7%)
ErP ENERGY EFFICIENCY CLASS	Heating/Cooling	A+ / A++	A+ / A++	-
	Heating/Cooling	64.9 / 55.7	67.6 / 55.7	77 / 63
MAX AIRFLOW (m³/min)	Heating/Cooling	51 / 49	56 / 52	57 / 55
SOUND PRESSURE LEVEL (dBA)	Heating/Cooling	61	65	69
SOUND POWER LEVEL (dBA)	Cooling	950 x 330 x 796	950 x 330 x 796	950 x 330 x 1048
DIMENSIONS (mm)	Width x Depth x Height	62	63	88
WEIGHT (kg)		220-240v, 50Hz	220-240v, 50Hz	220-240v, 50Hz
ELECTRICAL SUPPLY		Single	Single	Single
PHASE		2.44 / 2.83	2.34 / 3.15	3.31 / 3.66
POWER INPUT (kW)	Heating/Cooling (nominal)	2.20 / 2.26	2.15 / 2.99	3.04 / 3.44
	Heating/Cooling (UK)	10.7	13.8	17.2
STARTING CURRENT (A)		10.7 / 12.4 [20.4]	12.7 / 17.2 [21.4]	14.5 / 16.1 [30]
RUNNING CURRENT (A)	Heating/Cooling [MAX]	4 Core	4 Core	4 Core
INTERCONNECTING CABLE No. CORES		70	80	80
TOTAL PIPE LENGTH (m)		25	25	25
MAX PIPE LENGTH PER INDOOR UNIT (m)		15 (10 if OU higher than IU)	15 (10 if OU higher than IU)	15 (10 if OU higher than IU)
MAX HEIGHT DIFFERENCE (m)		2.99 / 6.25 (25m)	2.99 / 6.25 (0m)	4.00 / 8.36 (30m)
CHARGE REFRIGERANT (kg) / CO ₂ EQUIVALENT (t) - R410A (GWP 2088)		0.90 / 1.88	1.60 / 3.35	1.00 / 2.09
MAX ADDITIONAL REFRIGERANT (kg) / CO ₂ EQUIVALENT (t) - R410A (GWP 2088)		25	25	32
FUSE RATING (BS88) - HRC (A)				

Notes: *1 System COP / EER when connected to MSZ-EF x indoor unit connections. Combined max running current of all indoors on system must not exceed 3A.
 The SEZ-M25DA cannot be used when the total indoor capacity is equal to the outdoor capacity, i.e. when the capacity ratio is 1.

PRODUCT DIMENSIONS MXZ-4E83VA, MXZ-5E102VA



PRODUCT DIMENSIONS MXZ-6D122VA2



Telephone: 01707 282880
 email: air.conditioning@meuk.mee.com
 web: airconditioning.mitsubishielectric.co.uk

UNITED KINGDOM Mitsubishi Electric Europe Living Environment Systems Division
 Travellers Lane, Hatfield, Hertfordshire, AL10 8XB, England General Enquiries Telephone: 01707 282880 Fax: 01707 278881

IRELAND Mitsubishi Electric Europe Westgate Business Park, Ballymount, Dublin 24, Ireland
 Telephone: Dublin (01) 419 8800 Fax: Dublin (01) 419 8890 International code: (003531)

Country of origin: United Kingdom - Japan - Thailand - Malaysia. ©Mitsubishi Electric Europe 2018. Mitsubishi and Mitsubishi Electric are trademarks of Mitsubishi Electric Europe B.V. The company reserves the right to make any variation in technical specification to the equipment described, or to withdraw or replace products without prior notification or public announcement. Mitsubishi Electric is constantly developing and improving its products. All descriptions, illustrations, drawings and specifications in this publication present only general particulars and shall not form part of any contract. All goods are supplied subject to the Company's General Conditions of Sale, a copy of which is available on request. Third-party product and brand names may be trademarks or registered trademarks of their respective owners.

Note: The fuse rating is for guidance only. Please refer to the relevant databook for detailed specification. It is the responsibility of a qualified electrician/electrical engineer to select the correct cable size and fuse rating based on current regulation and site specific conditions. Mitsubishi Electric's air conditioning equipment and heat pump systems contain a fluorinated greenhouse gas, R410A (GWP:2088), R32 (GWP:675), R407C (GWP:1774) or R134a (GWP:1430). *These GWP values are based on Regulation (EU) No 517/2014 from IPCC 4th edition. In case of Regulation (EU) No.626/2011 from IPCC 3rd edition, these are as follows: R410A (GWP:1975), R32 (GWP: 550), R407C (GWP:1650) or R134a (GWP:1300).



www.greengateway.mitsubishielectric.co.uk
 Mitsubishi Electric UK's commitment to the environment

Follow us @meuk_Jes
 Follow us @green_gateway

Mitsubishi Electric
 Living Environmental Systems UK

mitsubishielectric2

thehub.mitsubishielectric.co.uk

Effective as of April 2018