



The **MSZ-AP** range is a wall mounted system that blends energy efficiency with a modern white design. Boasting outstanding benefits, this mid-range unit includes state-of-the-art Wi-Fi control as standard and utilises lower GWP R32 refrigerant.

Key Features

- Compact and stylish white design
- Quiet operation with industry leading low noise levels
- Highly energy efficient operation, utilising lower GWP R32 refrigerant
- Built in Wi-Fi interface enabling control and monitoring via the MELCloud app (MSZ-AP25/35/50/60/71VGK)
- Double vanes to distribute airflow evenly throughout the room
- Weekly timer provides greater control of scheduling
- Incorporates Replace Technology, allowing the upgrade of systems utilising existing piping



Air Conditioning

Product Information

MSZ-AP R32 Wall Mounted System Inverter Heat Pump

Making a
World of
Difference

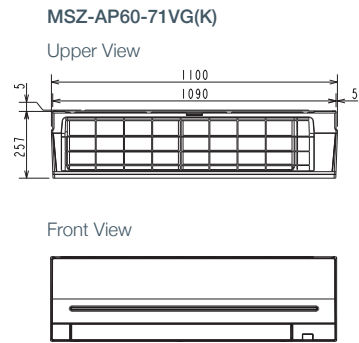
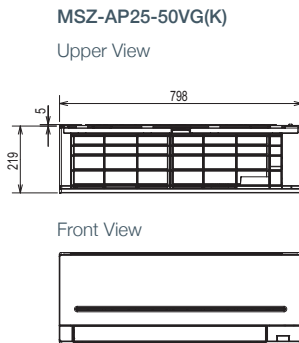
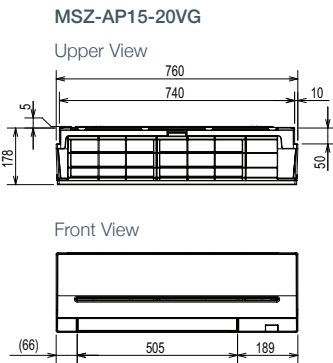


MSZ-AP - INDOOR UNITS		MSZ-AP15VG	MSZ-AP20VG	MSZ-AP25VG(K)	MSZ-AP35VG(K)	MSZ-AP42VG	MSZ-AP50VG(K)	MSZ-AP60VG(K)	MSZ-AP71VG(K)
CAPACITY (KW)	Heating (nominal)	1.7 (1.2-3.0)	2.5 (0.5-3.5)	3.2 (1.0-4.1)	4.0 (1.6-4.3)	5.4 (1.3-6.0)	5.8 (1.4-7.3)	6.8 (2.0-8.6)	8.0 (2.2-10.3)
	Cooling (nominal)	1.5 (0.9-2.7)	2.0 (0.6-2.7)	2.5 (0.9-3.4)	3.5 (1.1-3.8)	4.2 (0.9-4.5)	5.0 (1.4-5.4)	6.1 (1.4-7.3)	7.1 (2.0-8.7)
	Heating (UK)	-	2.06 (0.4-2.9)	2.64 (0.8-3.4)	3.3 (1.1-3.8)	4.45 (1.1-4.9)	4.78 (1.2-6.0)	5.6 (1.6-7.1)	6.68 (1.8-8.6)
	Cooling (UK)	-	1.98 (0.6-2.7)	2.48 (0.9-3.4)	3.47 (1.1-3.8)	4.17 (0.9-4.5)	4.95 (1.4-5.3)	6.05 (1.4-7.2)	7.04 (2.0-8.6)
SHF (nominal)	-	0.80	0.92	0.88	0.77	0.74	0.83	0.77	
COP / EER (nominal)	-	4.17 / 4.35	4.10 / 4.17	3.88 / 3.54	3.62 / 3.23	3.63 / 3.23	4.07 / 3.84	3.82 / 3.53	
SCOP / SEER (BS EN14825)	-	4.10 / 8.60	4.80 / 8.60	4.70 / 8.60	4.70 / 7.80	4.70 / 7.40	4.60 / 7.40	4.40 / 7.20	
EP ENERGY EFFICIENCY CLASS	Heating/Cooling	-	A+ / A+++	A+ / A+++	A++ / A+++	A++ / A++	A++ / A++	A+ / A++	A+ / A++
AIRFLOW (l/s)	Heating (SLo-Lo-Mid-Hi-SH)	62-73-83-100-113	62-73-83-100-122	82-98-122-148-215	82-98-122-148-215	88-102-128-157-233	93-108-137-167-233	180-223-257-290-338	170-192-220-255-320
	Cooling (SLo-Lo-Mid-Hi-SH)	58-65-77-92-107	58-65-77-92-115	82-98-118-145-190	82-98-118-145-190	90-108-128-155-190	100-120-140-167-210	157-183-220-267-315	160-192-220-255-310
PIPE SIZE MM (in)	Gas	9.52 (3/8")	9.52 (3/8")	9.52 (3/8")	9.52 (3/8")	9.52 (3/8")	9.52 (3/8")	12.7 (1/2")	12.7 (1/2")
	Liquid	6.35 (1/4")	6.35 (1/4")	6.35 (1/4")	6.35 (1/4")	6.35 (1/4")	6.35 (1/4")	6.35 (1/4")	6.35 (1/4")
SOUND PRESSURE LEVEL (dBA)	Heating (SLo-Lo-Mid-Hi-SH)	21-26-30-35-40	21-26-30-35-42	19-24-34-39-45	19-24-31-38-45	21-29-35-40-45	28-33-38-43-48	30-37-41-45-48	30-37-41-45-51
	Cooling (SLo-Lo-Mid-Hi-SH)	21-26-30-35-40	21-26-30-35-42	19-24-30-36-42	19-24-30-36-42	21-29-34-38-42	28-33-36-40-44	30-37-41-45-48	30-37-41-45-49
SOUND POWER LEVEL (dBA)		59	60	57	57	58	58	65	65
DIMENSIONS (mm)	Width x Depth x Height	760 x 178 x 250	760 x 178 x 250	798 x 219 x 299	798 x 219 x 299	798 x 219 x 299	798 x 219 x 299	1100 x 257 x 325	1100 x 257 x 325
WEIGHT (kg)		8.2	8.2	10.5	10.5	10.5	10.5	16	17
ELECTRICAL SUPPLY		Fed by Outdoor Unit	Fed by Outdoor Unit	Fed by Outdoor Unit	Fed by Outdoor Unit	Fed by Outdoor Unit	Fed by Outdoor Unit	Fed by Outdoor Unit	Fed by Outdoor Unit
FUSE RATING (BS88) - HRC (A)		6	6	6	6	6	6	6	6
INTERCONNECTING CABLE No. CORES		4	4	4	4	4	4	4	4

Notes: MSZ-AP15VG only available with R32 MXZ Multi-Split outdoor units. MSZ-AP-VGK indoor units include built-in Wi-Fi adaptor.

MUZ-AP - OUTDOOR UNITS		MULTI-SPLIT ONLY	MUZ-AP20VG	MUZ-AP25VG	MUZ-AP35VG	MUZ-AP42VG	MUZ-AP50VG	MUZ-AP60VG	MUZ-AP71VG
SOUND PRESSURE LEVEL (dBA)	Heating/Cooling	-	48 / 47	48 / 47	50 / 49	51 / 50	52 / 52	57 / 56	55 / 55
SOUND POWER LEVEL (dBA)	Cooling	-	59	59	61	61	64	65	65
WEIGHT (kg)		-	31	31	31	35	40	40	55
DIMENSIONS (mm)	Width x Depth x Height	-	800 x 285 x 550	800 x 285 x 550	800 x 285 x 550	800 x 285 x 550	800 x 285 x 714	800 x 285 x 714	840 x 330 x 880
ELECTRICAL SUPPLY		-	220-240v, 50Hz	220-240v, 50Hz	220-240v, 50Hz	220-240v, 50Hz	220-240v, 50Hz	220-240v, 50Hz	220-240v, 50Hz
PHASE		-	Single	Single	Single	Single	Single	Single	Single
SYSTEM POWER INPUT (kW)	Heating/Cooling (nominal)	-	0.60 / 0.46	0.78 / 0.60	1.03 / 0.99	1.49 / 1.30	1.60 / 1.55	1.67 / 1.59	2.12 / 2.01
	Heating/Cooling (UK)	-	0.52 / 0.38	0.70 / 0.50	0.93 / 0.83	1.34 / 1.09	1.44 / 1.29	1.51 / 1.33	1.91 / 1.68
STARTING CURRENT (A)		-	3.2	3.6	4.7	6.6	7.0	7.4	9.3
SYSTEM RUNNING CURRENT (A)	Heating/Cooling [MAX]	-	3.2 / 2.6 [7.0]	3.6 / 2.9 [7.06]	4.7 / 4.5 [8.46]	6.6 / 5.8 [9.6]	7.0 / 6.9 [13.6]	7.4 / 7.1 [14.0]	9.3 / 8.8 [16.4]
FUSE RATING (BS88) - HRC (A)		-	10	10	10	10	16	16	20
MAINS CABLE No. CORES		-	3	3	3	3	3	3	3
MAX PIPE LENGTH (m)		-	20	20	20	20	20	30	30
MAX HEIGHT DIFFERENCE (m)		-	12	12	12	12	12	15	15
CHARGE REFRIGERANT (kg) / CO ₂ EQUIVALENT (t)		-	0.55 / 0.38	0.55 / 0.37	0.55 / 0.37	0.70 / 0.47	1.00 / 0.68	1.05 / 0.71	1.50 / 1.02
MAX ADDITIONAL REFRIGERANT (kg) / CO ₂ EQUIVALENT (t)		-	0.26 / 0.18	0.26 / 0.18	0.26 / 0.18	0.26 / 0.18	0.26 / 0.18	0.30 / 0.21	0.30 / 0.21

PRODUCT DIMENSIONS



Telephone: 01707 282880

email: air.conditioning@meuk.mee.com

web: airconditioning.mitsubishielectric.co.uk

UNITED KINGDOM Mitsubishi Electric Europe Living Environment Systems Division
Travellers Lane, Hatfield, Hertfordshire, AL10 8XB, England General Enquiries Telephone: 01707 282880 Fax: 01707 278881

IRELAND Mitsubishi Electric Europe Westgate Business Park, Ballymount, Dublin 24, Ireland
Telephone: Dublin (01) 419 8800 Fax: Dublin (01) 419 8890 International code: (003531)

Country of origin: United Kingdom - Japan - Thailand - Malaysia. ©Mitsubishi Electric Europe 2019. Mitsubishi and Mitsubishi Electric are trademarks of Mitsubishi Electric Europe B.V. The company reserves the right to make any variation in technical specification to the equipment described, or to withdraw or replace products without prior notification or public announcement. Mitsubishi Electric is constantly developing and improving its products. All descriptions, illustrations, drawings and specifications in this publication present only general particulars and shall not form part of any contract. All goods are supplied subject to the Company's General Conditions of Sale, a copy of which is available on request. Third-party product and brand names may be trademarks or registered trademarks of their respective owners.

Note: The fuse rating is for guidance only. Please refer to the relevant databook for detailed specification. It is the responsibility of a qualified electrician/electrical engineer to select the correct cable size and fuse rating based on current regulation and site specific conditions. Mitsubishi Electric's air conditioning equipment and heat pump systems contain a fluorinated greenhouse gas, R410A (GWP:2088), R32 (GWP:675), R407C (GWP:1774) or R134a (GWP:1430). These GWP values are based on Regulation (EU) No 517/2014 from IPCC 4th edition. In case of Regulation (EU) No.626/2011 from IPCC 3rd edition, these are as follows: R410A (GWP:1975), R32 (GWP: 550), R407C (GWP:1650) or R134a (GWP:1300).



www.greengateway.mitsubishielectric.co.uk

Mitsubishi Electric UK's commitment to the environment

Follow us @meuk_les
Follow us @green_gateway

Mitsubishi Electric
Living Environmental Systems UK

mitsubishielectric2

thehub.mitsubishielectric.co.uk



Effective as of May 2019